



GOVERNMENT GAZETTE

OF THE

REPUBLIC OF NAMIBIA

N\$1,60

WINDHOEK — 19 September 1994

No. 920

CONTENTS

	<i>Page</i>
TRADE MARKS	1

APPLICATIONS FOR REGISTRATION OF TRADE MARKS IN NAMIBIA

(Applications accepted in terms of Act No. 48 of 1973)

Any person who has grounds for objection to any of the following trade marks, may, within the prescribed time, lodge Notice of Opposition on form SM 6 contained in the Second Schedule to the Trade Marks Rules in Namibia, 1973. The prescribed time is two months after the date of advertisement. This period may on application be extended by the Registrar. Where the Gazette is issued late, the period of opposition will count as from the date of issue and a notice relating thereto will be displayed on the public notice board in the Trade Marks Registry.

Formal opposition should not be lodged until after notice has been given by letter to the applicant for registration so as to afford him an opportunity of withdrawing his application before the expense of preparing the Notice of Opposition is incurred. Failing such notice to the applicant an opponent may not succeed in obtaining an order for costs.

“B” preceding the number indicates Part B of the Trade Mark Register.

Neither the office mentioned hereunder nor Windhoek Printers & Publishers (Pty) Ltd., acting on behalf of the Government of Namibia, guarantee the accuracy of this publication or undertake any responsibility for errors or omissions or their consequences.

E.T. KAMBOUA
REGISTRAR OF TRADE MARKS FOR NAMIBIA

90/1572 in Class 29: Meat, fish, poultry and game; meat extracts, preserved, dried and cooked fruits and vegetables; dried stew and soup preparations; jellies; jams; eggs, milk and other dairy products; edible oils and fats; preserves, pickles; in the name of **COMMERCIAL INVESTMENT CORPORATION (PROPRIETARY) LIMITED**, a Namibian company of 20 Bessemer Street, Southern Industria, Windhoek.

Address for Service: MACROBERT DE VILLIERS LUNNON & TINDAL INC., 3rd Floor, Standard Bank Centre, 291 Church Street, Pretoria; c/o Van der Merwe-Greeff, 1st Floor, Kock & Schmidt Building, 26a Garten Street, Windhoek.

FILED: 21 NOVEMBER 1990

VIVA

Associated with Trade Mark No. 90/1573

90/1573 in Class 30: Coffee, tea, cocoa, sugar, rice, tapioca, sago, coffee, substitutes; flour and preparations made from cereals; maize products; bread, biscuits, cakes, pastry and confectionery, ices, honey, treacle, yeast, baking powder; salt, mustard, pepper, vinegar, sauces, spices, ice; in the name of **COMMERCIAL INVESTMENT CORPORATION (PROPRIETARY) LIMITED**, a Namibian company of 20 Bessemer Street, Southern Industria, Windhoek.

Address for Service: MACROBERT DE VILLIERS LUNNON & TINDAL INC., 3rd Floor, Standard Bank Centre, 291 Church Street, Pretoria; c/o Van der Merwe-Greeff, 1st Floor, Kock & Schmidt Building, 26a Garten Street, Windhoek.

FILED: 21 NOVEMBER 1990

VIVA

Associated with Trade Mark No. 90/1572

90/1459 in Class 17: Rubber, gutta-percha, gum, asbestos, mica and other goods made from these materials; plastics in extruded form for use in manufacture, packing, stopping and insulating materials; flexible pipes, not of metal; in the name of **COMPAGNIE FINACIERE ETERNIT**, a Société Anonyme of World Trade Center, Boulevard Emile Jacqmain 162, 1120 Brussels, Belgium.

Address for Service: JOHN & KERNICK, P O Box 864, Windhoek.

FILED: 7 NOVEMBER 1990

Associated with trade mark no. 90/1460



Applicants undertake that, in use the blank space appearing in the mark will be occupied only by matter of a descriptive or non-distinctive character or by a trade mark registered in the name of the applicants in respect of the same goods or by a trade mark of which the applicants are registered users, in respect of the same goods, or by a trade mark of a registered user, with the consent of the proprietor of such mark, or the blank space will be left vacant.

91/0996 in Class 32: Non-alcoholic beverages; syrups, concentrates and other ingredients used in the preparation of such beverages; in the name of **PEPSICO, INC.**, a North Carolina corporation of 700 Anderson Hill Road, Purchase, New York 10577, United States of America.

Address for Service: SPOOR & FISHER, Standard Bank Chambers, Independence Avenue, Windhoek.

FILED: 10 SEPTEMBER 1991

Associated with 78/301



89/1554 in Class 16: Paper, cardboard and goods made from these materials, not included in other classes; photographs, stationery, playing cards, tickets, folders, pamphlets, brochures, menus, posters, promotional material, plastic material for packaging, plastic sheets, sacks and bags; in the name of **SOUTH AFRICAN TRANSPORT SERVICES**, (as empowered by Act No. 65 of 1981 (as amended)), of Room 1403, Paul Kruger Building, Wolmarans Street, Johannesburg, Transvaal.

Address for Service: KISCH ASSOCIATES, 17 Curie Street, Windhoek West, Windhoek, Republic of Namibia.

FILED: 12 OCTOBER 1989

SAA/SAL

Associated with 89/1555 and 89/1553

Registration of this trade mark shall give no right to the exclusive use of the letters S, A and L, each separately and apart from the mark.

91/0482 in Class 19: Building components and materials; non-metallic transportable buildings; in the name of **BALDWINS STEEL**, a division of **DORBYL LIMITED**, as trustees for a Company about to be formed, of Dorbyl Park, 4 Skeen Boulevard, Bedfordview, Transvaal.

Address for Service: KISCH ASSOCIATES, 17 Curie Street, Windhoek West, Windhoek, Republic of Namibia.

FILED: 17 MAY 1991

ZINKI

Associated with 91/0483

Applicant admits that registration of this trade mark shall not debar other persons from the *bona fide* descriptive use, in the ordinary course of trade, of the word ZINC.

89/1555 in Class 35: Services relating to advertising and business, and related services; in the name of **SOUTH AFRICAN TRANSPORT SERVICES**, (as empowered by Act No. 65 of 1981 (as amended)), of Room 1403, Paul Kruger Building, Wolmarans Street, Johannesburg, Transvaal.

Address for Service: KISCH ASSOCIATES, 17 Curie Street, Windhoek West, Windhoek, Republic of Namibia.

FILED: 12 OCTOBER 1989

SAA/SAL

Associated with 89/1556

Registration of this trade mark shall give no right to the exclusive use of the letters S, A and L, each separately and apart from the mark.

91/0483 in Class 37: Services rendered in connection with construction and repair; in the name of **BALDWINS STEEL**, a division of DORBYL LIMITED, as trustees for a Company about to be formed, of Dorbyl Park, 4 Skeen Boulevard, Bedfordview, Transvaal.

Address for Service: KISCH ASSOCIATES, 17 Curie Street, Windhoek West, Windhoek, Republic of Namibia.

FILED: 17 MAY 1991

ZINKI

Associated with 91/0482

Applicant admits that registration of this trade mark shall not debar other persons from the *bona fide* descriptive use, in the ordinary course of trade, of the word ZINC.

89/1556 in Class 39: Services relating to transportation and storage and related services; in the name of **SOUTH AFRICAN TRANSPORT SERVICES**, (as empowered by Act No. 65 of 1981 (as amended)), of Room 1403, Paul Kruger Building, Wolmarans Street, Johannesburg, Transvaal.

Address for Service: KISCH ASSOCIATES, 17 Curie Street, Windhoek West, Windhoek, Republic of Namibia.

FILED: 12 OCTOBER 1989

SAA/SAL

Associated with 89/1557

Registration of this trade mark shall give no right to the exclusive use of the letters S, A and L, each separately and apart from the mark.

89/1557 in Class 42: Wholesale, retail and mail order services, travel agency services, services rendered by establishments in procuring food or drink prepared for consumption, services of restaurants, self service restaurants, canteens and coffee shops; services rendered by engineers and accountants engaged in valuing, estimates, research and reports; consulting, designing and advising services, market research and customer and/or producer counselling; and all related services; in the name of **SOUTH AFRICAN TRANSPORT SERVICES**, (as empowered by Act No. 65 of 1981 (as amended)), of Room 1403, Paul Kruger Building, Wolmarans Street, Johannesburg, Transvaal.

Address for Service: KISCH ASSOCIATES, 17 Curie Street, Windhoek West, Windhoek, Republic of Namibia.

FILED: 12 OCTOBER 1989

SAA/SAL

Associated with 89/1554

Registration of this trade mark shall give no right to the exclusive use of the letters S, A and L, each separately and apart from the mark.

89/0133 in Class 42: Services relating to the conceptualisation, structuring, design, layout, promotion, financing, management and organisation of exhibitions, fairs, conferences, seminars and workshops and the creation, drafting, printing, publication and distribution of all printed matter, publications, artwork, photographs, film and other materials used in conjunction therewith and in relation thereto; in the name of **SPECIALISED EXHIBITIONS (PROPRIETARY) LIMITED**, a South African Company, of Cnr. Northern Parkway and Handel Road, Ormonde, Johannesburg.

Address for Service: KISCH ASSOCIATES, 17 Curie Street, Windhoek West, Windhoek, Republic of Namibia.

FILED: 2 FEBRUARY 1989

COMPONEX

91/0238 in Class 10: Surgical, medical, dental, veterinary and protective products, instruments and apparatus; in the name of **LATEX SURGICAL PRODUCTS (PROPRIETARY) LIMITED**, a South African company, of Pieter Wessels Street, Stafford Extension, Springfield.

Address for Service: KISCH ASSOCIATES, 17 Curie Street, Windhoek West, Windhoek, Republic of Namibia.

FILED: 15 MARCH 1991

Associated with 91/0237



91/0237 in Class 10: Surgical, medical, dental, veterinary and protective products, instruments and apparatus; in the name of **LATEX SURGICAL PRODUCTS (PROPRIETARY) LIMITED**, a South African company, of Pieter Wessels Street, Stafford Extension, Springfield.

Address for Service: KISCH ASSOCIATES, 17 Curie Street, Windhoek West, Windhoek, Republic of Namibia.

FILED: 15 MARCH 1991



Applicant undertakes to restrict use of the trade mark to goods being latex products, goods made from latex or goods containing latex.

Associated with 91/0238

89/0125 in Class 42: Services relating to the conceptualisation, structuring, design, layout, promotion, financing, management and organisation of exhibitions, fairs, conferences, seminars and workshops and the creation, drafting, printing, publication and distribution of all printed matter, publications, artwork, photographs, film and other materials used in conjunction therewith and in relation thereto; in the name of **SPECIALISED EXHIBITIONS (PROPRIETARY) LIMITED**, a South African Company, of Cnr. Northern Parkway and Handel Road, Ormonde, Johannesburg.

Address for Service: KISCH ASSOCIATES, 17 Curie Street, Windhoek West, Windhoek, Republic of Namibia.

FILED: 2 FEBRUARY 1989

AUTOSHOP

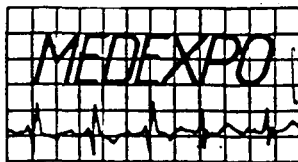
Registration of this trade mark shall give no right to the exclusive use of the word SHOP, separately and apart from the mark.

Applicant admits that registration of this trade mark shall not debar other persons from the *bona fide* descriptive use, in the ordinary course of trade, of the word AUTOMATIC.

89/0138 in Class 42: Services relating to the conceptualisation, structuring, design, layout, promotion, financing, management and organisation of exhibitions, fairs, conferences, seminars and workshops and the creation, drafting, printing, publication and distribution of all printed matter, publications, artwork, photographs, film and other materials used in conjunction therewith and in relation thereto; in the name of **SPECIALISED EXHIBITIONS (PROPRIETARY) LIMITED**, a South African Company, of Cnr. Northern Parkway and Handel Road, Ormonde, Johannesburg.

Address for Service: KISCH ASSOCIATES, 17 Curie Street, Windhoek West, Windhoek, Republic of Namibia.

FILED: 2 FEBRUARY 1989



Applicant admits that registration of this trade mark shall not debar other persons from the *bona fide* descriptive use, in the ordinary course of trade, of the word EXPOSITION.

90/1720 in Class 29: Meat, fish, poultry and game; meat extracts, preserved, dried and cooked fruits and vegetables; jellies, jams; eggs, milk and other dairy products; edible oils and fats; preserves, pickles; in the name of **PLEASURE FOODS LIMITED**, of 2nd Floor, 2 Pybus Road, Sandton, 2199.
Address for Service: DENEYS REITZ, 10 Anderson Street, Johannesburg, 2001.

FILED: 19 DECEMBER 1990

Associated with 90/1721



90/1721 in Class 30: Coffee, tea, cocoa, sugar, rice, tapioca, sago, coffee substitutes, flour and preparations made from cereals; bread, biscuits, cakes, pastry and confectionery, ices; honey, treacle; yeast, baking powder, salt, mustard, pepper, vinegar, sauces, spices, ice; in the name of **PLEASURE FOODS LIMITED**, of 2nd Floor, 2 Pybus Road, Sandton, 2199.
Address for Service: DENEYS REITZ, 10 Anderson Street, Johannesburg, 2001.

FILED: 19 DECEMBER 1990

Associated with 90/1722



90/1722 in Class 31: Agricultural, horticultural and forestry products and grains not included in other classes; living animals; fresh fruits and vegetables, seeds; live plants and flowers; foodstuffs for animals, malt; in the name of **PLEASURE FOODS LIMITED**, of 2nd Floor, 2 Pybus Road, Sandton, 2199.
Address for Service: DENEYS REITZ, 10 Anderson Street, Johannesburg, 2001.

FILED: 19 DECEMBER 1990

Associated with 90/1723



90/1723 in Class 32: Beer, ale and porter; mineral and aerated waters and other non-alcoholic drinks; syrups and other preparations for making beverages; in the name of **PLEASURE FOODS LIMITED**, of 2nd Floor, 2 Pybus Road, Sandton, 2199.

Address for Service: DENEYS REITZ, 10 Anderson Street, Johannesburg, 2001.

FILED: 19 DECEMBER 1990

Associated with 90/1724



90/1724 in Class 42: Services relating to the procurement and provision of foodstuffs and beverages of all kinds, including snack-bars, cafeterias and restaurants; retail services; in the name of **PLEASURE FOODS LIMITED**, of 2nd Floor, 2 Pybus Road, Sandton, 2199.

Address for Service: DENEYS REITZ, 10 Anderson Street, Johannesburg, 2001.

FILED: 19 DECEMBER 1990

Associated with 83/0834



91/0242 in Class 19: Building, construction and road-making materials, natural and artificial stone, interlocking blocks, precast paving elements, in the name of **GRINAKER CONSTRUCTION LIMITED**, of 17th Floor, Bedford Centre, Bedfordview, Transvaal, Republic of South Africa.

Address for Service: McCULLUM, RADEMEYER & FREIMOND, c/o Lorentz & Bone, Standard Bank Chambers, Independence Avenue, Windhoek, Namibia.

FILED: 18 MARCH 1991

UNI-DECOR

Registration of this trade mark shall give no right to the exclusive use of the word DECOR separately and apart from the mark.

91/0857 in Class 35: Advertising and business; in the name of **THE VILLAGE SQUARE (PTY) LIMITED**, a Namibian Company of c/o Eros Road and Helidoor Street, Erosark, Namibia.

Address for Service: P F KOEP & CO., 1st Floor, Acme Corner, Kasino Street, P O Box 3516, Windhoek.

FILED: 6 AUGUST 1991

THE VILLAGE SQUARE

Registration of this Trade Mark shall give no right to the exclusive use of the words "VILLAGE" and "SQUARE" separately and apart from the mark.

Associated with 91/0858

91/0858 in Class 35: Advertising and business; in the name of **THE VILLAGE SQUARE (PTY) LIMITED**, a Namibian Company of c/o Eros Road and Heliodoor Street, Erosark, Namibia.

Address for Service: P F KOEP & CO., 1st Floor, Acme Corner, Kasino Street, P O Box 3516, Windhoek.

FILED: 6 AUGUST 1991



Registration of this Trade Mark shall give no right to the exclusive use of the words "VILLAGE" and "SQUARE" separately and apart from the mark.

Associated with 91/0857

91/0430 in Class 35: Advertising and business services of all kinds and descriptions; services relating to assurance, insurance, financing, broking, accounting, auditing of accounts, business assessments, consulting information inquiries, inspections, management, planning, research, supervision, valuations, guarantees, loans, profit surveys, rates of exchange, statistics, statements of account and tax assessments of all kinds and descriptions; all services connected with or ancillary to any of the foregoing; in the name of **INVESTEC BANK LIMITED**, a South African Company of 55 Fox Street, Johannesburg, 2001.

Address for Service: DENEYS REITZ, 10 Anderson Street, Johannesburg, 2001.

FILED: 3 MAY 1991



Associated with 91/0427

Registration of this trade mark shall give no right to the exclusive use of the words INVEST, INVESTMENT and TRUST separately and apart from the mark.

91/0431 in Class 36: Financing, lending, leasing and credit services of all kinds and descriptions; banking and financial services of all kinds and descriptions; credit, agency, brokerage, exchange, savings, guarantee, lending and underwriting services of all kinds and descriptions; investment and investment trust services of all kinds and descriptions; insurance services; credit card and card charge banking and extending activities of all kinds and descriptions; leasing and real estate, real estate agencies, appraisal and brokers, renting of apartments; all other services for, connected with or ancillary to any of the foregoing; in the name of **INVESTEC**

BANK LIMITED, a South African Company of 55 Fox Street, Johannesburg, 2001.

Address for Service: DENEYS REITZ, 10 Anderson Street, Johannesburg, 2001.

FILED: 3 MAY 1991

Associated with 91/0427

INTRUST 
 Investec Investment Trust Limited

Registration of this trade mark shall give no right to the exclusive use of the words INVEST, INVESTMENT and TRUST separately and apart from the mark.

91/0055 in Class 36: Insurers and assurers of all kinds and descriptions; actuaries; agents and brokers of all kinds and descriptions; investment trusts; financiers, lessors, money dealers, bankers, credit grantors, debt collectors, clearing houses, guarantors and underwriters of all kinds and descriptions; real estate managers; services for or relating to any of the foregoing.

Registration of this trade mark shall give no right to the exclusive use of the word BOND separately and apart from the mark.

GUARDBOND

Associated with 91/0054

91/0211 in Class 35: Advertising and business service of all kinds and descriptions; services relating to assurance, insurance, financing, broking, accounting, auditing of accounts, business assessments, consulting information inquiries, inspections, management, planning, research, supervision, valuations, guarantees, loans, profit surveys, rates of exchange, statistics, statements of account and tax assessments of all kinds and descriptions; all services connected with or ancillary to any of the foregoing; in the name of **INVESTIC BANK LIMITED**, a South African company of 55 Fox Street, Johannesburg, 2001.

Address for Service: DENEYS REITZ, 10 Anderson Street, Johannesburg.

FILED: 7 MARCH 1991

Associated with 91/0212

IPG 
 IPG

91/0212 in Class 36: Financing, lending, leasing and credit services of all kinds and descriptions; banking and financial services of all kinds and descriptions; credit, agency, brokerage, exchange, savings, guarantee, lending and underwriting services of all kinds and descriptions; investment and investment trust services of all kinds and descriptions; insurance services; credit cards and card charge banking and extending activities of all kinds and descriptions; leasing of real estate, real estate agencies, appraisal and brokers, renting of apartments; all other services for, connected with or ancillary to any of the foregoing; in the name of **INVESTEC BANK LIMITED**, a South African company of 55 Fox Street, Johannesburg, 2001.

Address for Service: DENEYS REITZ, 10 Anderson Street, Johannesburg.

FILED: 7 MARCH 1991

Associated with 91/0211

The logo consists of the letters 'IPG' in a bold, serif font. The letter 'I' is tall and narrow, 'P' is tall and narrow with a small circle at the top right, and 'G' is tall and narrow with a small circle at the top right. Below the letters are three horizontal lines of varying lengths, with the longest line under the 'G'.

91/0039 in Class 36: Insurance and financial services of all kinds, including banking, investment trusts, share and property brokers, credit institutions, leasing; loans; credit card services; credit and card charge extending activities; and all other services connected with or ancillary to credit cards, credit and financing in general lease purchase financing.

FILED: 9 JANUARY 1991

CUSTOMDRIVE

Registration of this trade mark shall give no right to the exclusive use of the word **CUSTOM** separately and apart from the mark.

91/0789 in Class 17: Plastics in the form of films, foils and sheets and laminations of plastic, semi-processed plastic, plastic fibres and plastic articles included in this class; in the name of **HOECHTS AKTIENGESELLSCHAFT**, Postfach 80 03 20 Bruningstrasse 50, 6230 Frankfurt am Main 80 Federal Republic of Germany.

Address for Service: **MACROBERT DE VILLIERS LUNNON & TINDALL** 501 United Building, 263 Andries Street, Pretoria.

FILED: 23 JULY 1991

HOSTAPHAN

Associated with 636/66

91/0519 in Class 28: Games and playthings; gymnastics and sporting articles; decorations for Christmas tree; in the name of **REDWOODS HOLDINGS LIMITED**, a public company incorporated in accordance with the Company Laws of the Republic of South Africa, of 99 North Coast Road, Briardene, Durban.
Address for Service: **WEBBER WENTZEL**, c/o P F Koep & Co., P O Box 3516, Windhoek, Namibia.

FILED: 27 MAY 1991

REGGIES

Associated with 91/0518



APPLICATION TO AMEND SPECIFICATION

I/We, **CORNELIS ALBERTUS VAN DER WESTHUIZEN**, of Mein Heim, District Kimberley, Cape Province, Republic of South Africa, seek leave to amend by way of disclaimer and/or correction and/or explanation the specification of Letters Patent/Patent Application No. 93/0006 of 22 January 1993 for an invention entitled "KNIFE".

A copy of the original specification, showing in red ink the proposed amendment is now open to public inspection at the Patent Office.

A notice of opposition (on Patents Form No. 17) must be lodged at the Patent Office within three months from the date of the first advertisement hereto.

DATED THIS 3RD DAY OF MAY 1994.

REGISTRAR

91/0097

5 November 1993

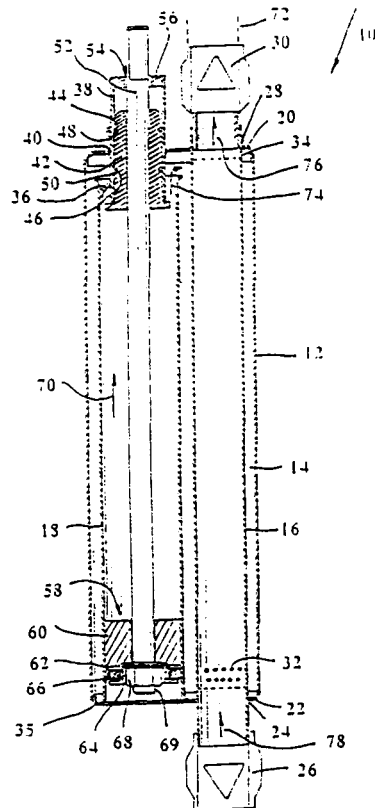
6 December 1993

PHILLIP FREDERICK LOCK STRAUSS

PUMPING ARRANGEMENT.

A pump unit includes a housing defining a chamber; a first cylinder provided in the housing and extending through both end covers of the housing; a first one-way valve provided at one end of the first cylinder; a second one-way valve provided at the other end of the first cylinder; at least one first aperture in the first cylinder leading into the chamber; a second cylinder provided in the housing; a piston rod extending through the second end cover of the housing into the second cylinder; a piston attached to the piston rod; at least one second aperture leading into the second cylinder from the chamber so that movement of the piston away from such second aperture(s) suction of liquid through the first one-way valve into the first cylinder, whilst the second one-way valve is closed, and movement of the piston in an opposite

direction causes closure of the first one-way valve and opening of the second one-way valve for displacing liquid from the second cylinder through the second one-way valve to be discharged via a discharge pipe.



Registration number of patent: 92/0119

Date received: 2 December 1992

Date of letters patent: 22 January 1993

Name of patentee(s): CSIR

Name of inventors: NICOLAAS HENDRIK ARNOLD, KEITH WILLIAM BOWEN

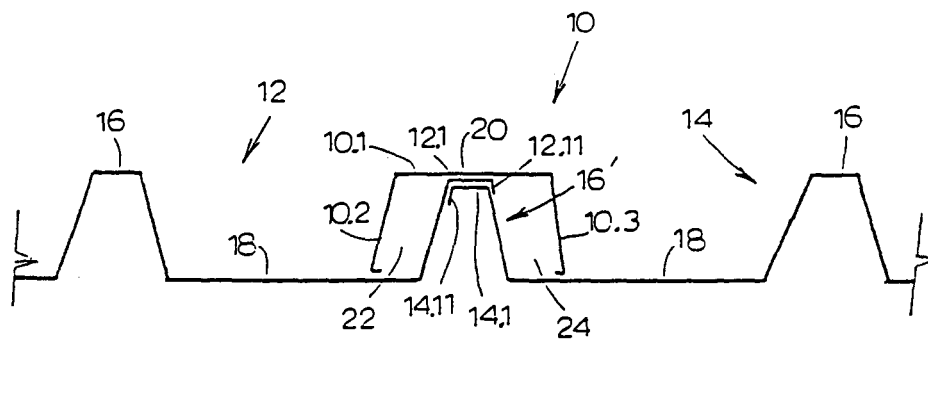
Title: Accessory for a roof covering

Number of pages of application: 10

ABSTRACT

An accessory for a roof covering is disclosed which is suitable for at least partially separating rain water from solids present on the roof and for allowing the rain water to be drained through a passage formed between the accessory and the roof covering, which is substantially free of solids. The accessory comprises a cover having a profile

which is generally of inverted channel shape and has at least one side panel adapted, in use, to be located in spaced relationship from the surface of at least one of the crowns of the roof covering.



Registration number of patent: 93/0003

Date received: 8 January 1993

Date of letters patent: 4 November 1993

Name of patentee(s): CSIR

Name of inventors: JEAN PIERRE PELLISSIER, DIRK JOHANN NEETHLING, GLADSTONE DAVIES

Title: Pumpable grout

Number of pages of application: 24

ABSTRACT

A pumpable, settable grout composition, usually of an essentially inorganic nature, comprising a cementitious and/or pozzolanic or equivalent binder and a matrix-forming filler or aggregate material comprising at least one fine component in the conventional particle size range for grout and optionally one or more coarse aggregate components, e.g. of gravel and gravellike consistency and further comprising an admixture of a fibrous modifying agent of up to 30% of weight of the total dry mixture, and water in an amount suitable to produce the required consistency.

Registration number of patent: 93/0023

Date received: 19 March 1993

Date of letters patent: 10 August 1993

Name of patentee(s): FORSCHUNGSZENTURM JÜLICH GmbH

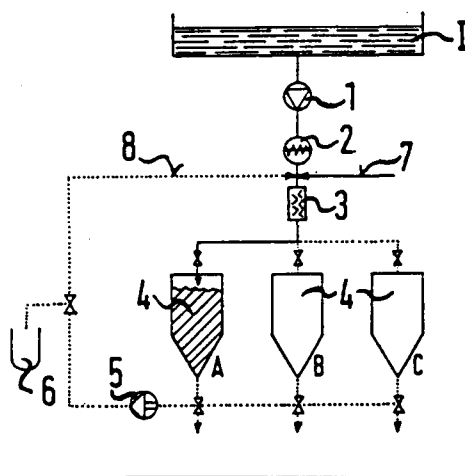
Name of inventors: DRAGOLJUB BILANOVIC, FRIEDRICH-HELMUTH MOHN

Title: Process for recovering valuable substances, in particular carotinoids from algae and installations suitable therefor

Number of pages of application: 12

ABSTRACT

The recovery of valuables, in particular carotinoids from seawater algae such as specifically *Dunaliella*, is attained by extraction of the valuable substance from the brine culture without preceding enrichment of the biomass, care being taken before or during the extraction that an adequate liberation of the valuable from the algae is brought about by the application of adequate shear forces. In particular β -carotin, starting from brine cultures of *Dunaliella* may be extracted using an oil allowed for food purposes in an amount of preferably between 1 and 10% based on the brine culture. Preferably brine cultures having a salt concentration of 18 to 30% in particular 22 to 28% of salt are processed. Preferably the oil which is dispersed using a high speed colloid mill with simultaneous maceration of the algae (after phase separation has taken place) is recycled to the extraction stage with progressive enrichment of the valuable substance in the solution.



Registration number of patent: 93/0047

Date received: 2 June 1993

Date of letters patent: 2 February 1994

Name of patentee(s): GERSAN ESTABLISHMENT

Name of inventors: MARIE-LINE ROONEY, JAMES GORDON CHARTERS SMITH, MARTIN PHILLIP SMITH, MARTIN COOPER

Title: Detecting diamonds in a rocksample

Number of pages of application: 32

ABSTRACT

In order to provide secure and simple detection of diamonds when prospecting, a rock sample is reduced to powder particles which are automatically checked to see if they contain diamond particles (30) by processing an image of X-radiation transmitted by a layer of the particles. The image may be processed by comparing it with a further image of visible light transmitted by the layer of particles.

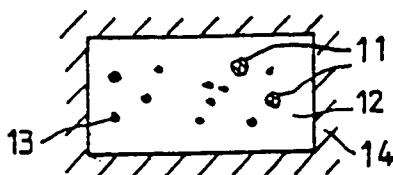


FIG. 3.

Registration number of patent: 93/0109

Date received: 28 October 1993

Date of letters patent: 25 January 1994

Name of patentee(s): CSIR

Name of inventors: NICOLAAS HENDRIK ARNOLD, MARTHINUS SAMUEL SMIT

Title: Sealing washer

Number of pages of application: 12

ABSTRACT

A sealing washer having a bore through which a roof fastening member may be passed. The physical properties and shape of at least a portion of the washer may be selected such that when opposing forces are applied to the washer in an axial direction, the washer is elastically deformed towards the bore so as to decrease the diameter thereof and to cause the washer to seal against the fastening member extending through the bore and having a diameter which is at most substantially the same as that of the bore.

